

SLIDING AND FOLDING

FOR SLIDING DOORS - TIMBER

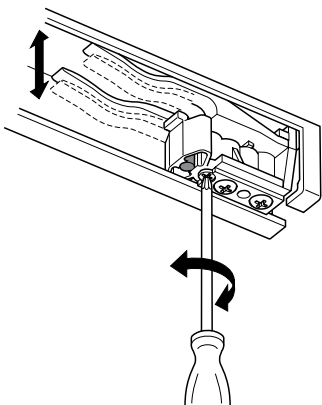
EKU PORTA 60/100 HM

For door weights up to 60 kg or 100 kg,
With soft close mechanism (optional)

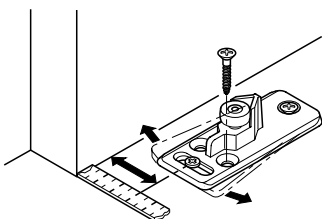


SLIDING AND FOLDING

- > Area of application: For 1 and 2 sliding door systems
- > Adjustment facility (mm): Door height adjustable +1/-3
- > Door weight (kg): <60 or <100 per door
- > Door height (mm): <2700
- > Door width (mm): <1600
- > Door thickness (mm): 30 - 40
- > Soft and self closing mechanism (optional)

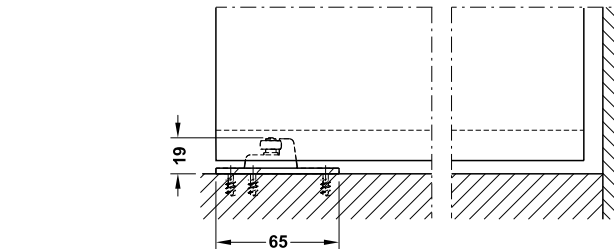
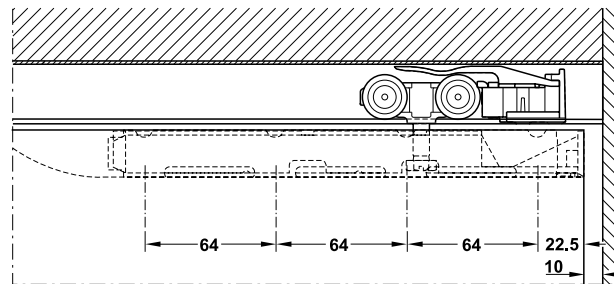
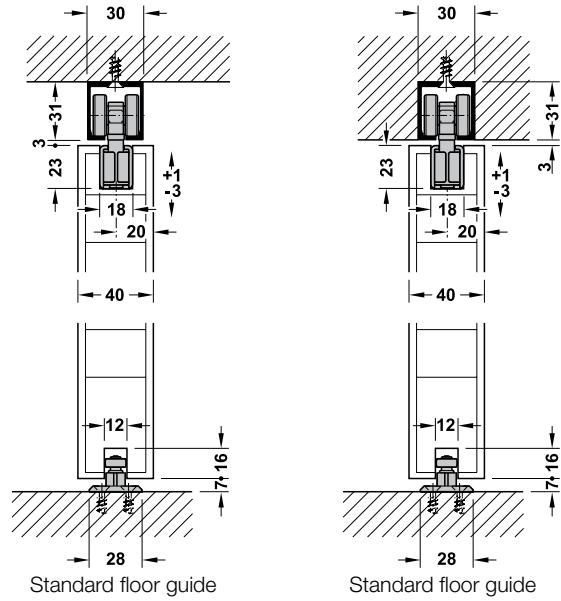


Stopper with adjustable locking force



Side adjustable floor guide

Ceiling installation



Trolley hanger, track stopper and floor guide

Installation

Routing Dimensions

